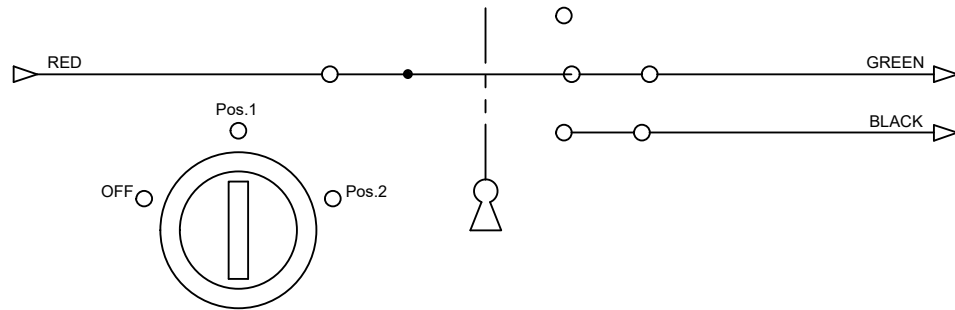
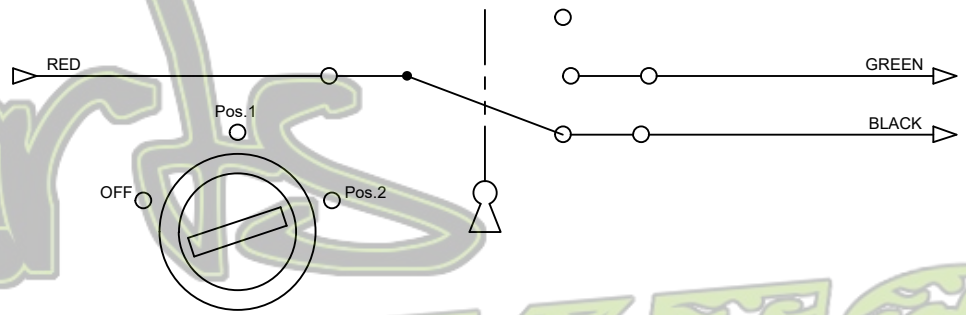
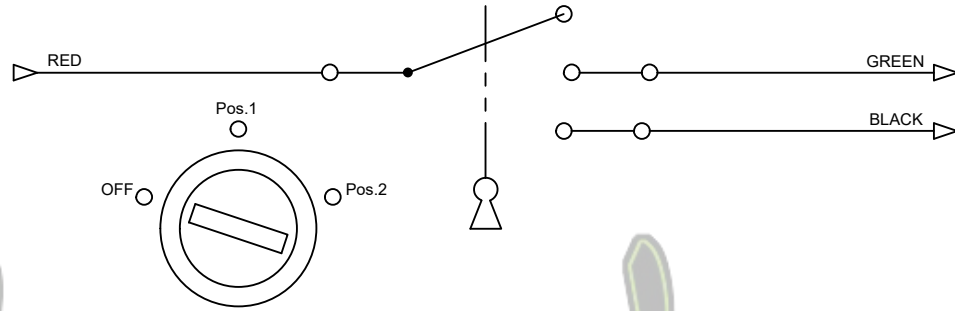



# 3 Wire, 3 Position Ignition Key Switch



Title: Ignition Switch Wiring Schematics - Switch Contacts	
	Creator: Chris Lambert FdEng
	Legal Owner: Lamberts Bikes
Document Reference: M-4-2	Document Type: Electrical Schematic
Date of Issue: 16/02/2016	Document Status: published
	Revision: 2.1
	Sheet: 1 of 5